

Rotule SI

SI60-ES-2RS-DURBAL - SI60-ES-2RS-DURBAL

<https://www.123roulement.ca/roulement-palier/rotule/si/si60-es-2rs-durbal>

SI60-ES-2RS



female thread; lubrication required, according to DIN ISO 12240-4; series E

Description: DIN ISO rod end E series. Made of spherical plain bearing DGL...E (ES pressed into rod end body. Sliding combination steel / steel. Maintenance necessary. Bore diameter $d \geq 15$ with grease nipple in rod end body and lubrication groove and hole in inner and outer ring. Bore diameter $d \geq 15$ type DSL...ES-2RS with additional seals also available.

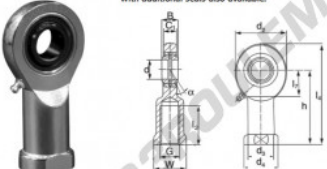
Rod end body: surface zinc plated

Sliding combination: steel / steel

Inner ring: bearing steel, hardened, ground and phosphated

Outer ring: bearing steel, hardened, ground and phosphated

Lubrication: lubrication required



order number	right hand thread	left hand thread	measurement (mm)						
SI 60 ES (-2RS)			d	G	B	C1	d2	d3	d4
			60	M 52 x 3	44	38,0	135	70,0	88

type	measurement [mm]				load rating C ₀ [kN]	weight [kg]
	l ₁ min	W	h	α [°]		
SI / SIL 60 ES (-2RS)	70	75	175	6	450,0	5,5

CARACTÉRISTIQUES PRODUIT

Marque	DURBAL
N° Ean13	3663952497679
Diam. intérieur	60 mm
Diam. extérieur	135 mm
Epaisseur	44 mm
Type	-
Poids	5500 g
Filetage	-
Lubrification	-
Conditionnement	-
Norme	-

contact@123roulement.ca

+33 359 360 490

CRT4 de Lesquin 60 Rue Du Haut De Sainghin 59273 Fretin FRANCE