

Rotule SI

SI25-ES-2RS-DURBAL - SI25-ES-2RS-DURBAL

<https://www.123roulement.ca/roulement-palier/rotule/si/si25-es-2rs-durbal>

SI25-ES-2RS



female thread;
lubrication
required,
according to
DIN ISO 12240-4;
serie E

Description: DIN ISO rod end E series. Made of spherical plain bearing DGE...E (ES) pressed into rod end body. Sliding combination steel / steel. Maintenance necessary. Bore diameter $d \geq 15$ with grease nipple in rod end body and lubrication groove and hole in inner and outer ring. Bore diameter $d \geq 15$ type DSL...ES-2RS with additional seals also available.

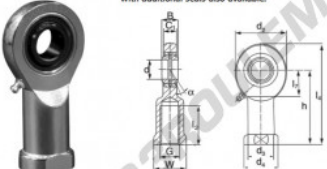
Rod end body:
surface zinc plated

Sliding combination:
steel / steel

Inner ring:
bearing steel, hardened, ground and phosphated

Outer ring:
bearing steel, hardened, ground and phosphated

Lubrication:
lubrication required



order number	right hand thread	left hand thread	d	G	B	C1	d2	d3	d4
SI 25 ES (-2RS)			25	M 24 x 2	20	17,0	64	33,5	42

type	measurement [mm]				load rating C ₀ [kN]	weight [kg]
	l ₁ min	W	h	α [°]		
SI / SIH 25 ES (-2RS)	48	36	94	7	83,0	0,64

CARACTÉRISTIQUES PRODUIT

Marque	DURBAL
N° Ean13	3663952497198
Diam. intérieur	25 mm
Diam. extérieur	64 mm
Epaisseur	20 mm
Type	SI
Poids	640 g
Filetage	Filetage à droite
Lubrification	avec
Conditionnement	1

contact@123roulement.ca

+33 359 360 490

CRT4 de Lesquin 60 Rue Du Haut De Sainghin 59273 Fretin FRANCE