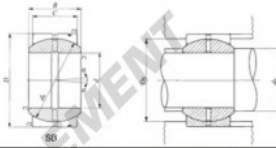


Rotule GE SB150220120-IKO - SB150220120-IKO

<https://www.123roulement.ca/roulement-palier/rotule/ge/sb150220120-iko>

IKO
SPHERICAL BUSHINGS
Steel-on-steel Spherical Bushings



Shaft dia. mm	Identification number	Mass (Ref.) kg	Boundary dimensions mm					Permissible tilting angle degree	
			d	D	B	C	d _k	r ₁ mm	r ₂ mm
150	SB 150220120	17.0	150	220	120	105	205	1	5
Mounting dimensions mm		Dynamic load capacity		Static load capacity					
d _s	D _s	C _d	C _s						
Min. Max. ⁽²⁾	Max. Min.	N	N						
155.5 166	214.5 189	2 110 000	12 700 000						

Notes⁽¹⁾ Minimum allowable value of chamfer dimensions r₁ and r₂.
⁽²⁾ When Spherical Bushings are used with full tilting angle, the shaft shoulder dimension must be less than the maximum value of d_s.
Remark: 1. The inner ring and the outer ring have an oil groove and two oil holes, respectively.
2. Not provided with prepacked grease. Perform proper lubrication for use.

CARACTÉRISTIQUES PRODUIT

Marque	IKO
N° Ean13	3663952391632
Diam. intérieur	150 mm
Diam. extérieur	220 mm
Épaisseur	120 mm
Type	GE
Lubrification	sans
Conditionnement	1

contact@123roulement.ca

+33 359 360 490

CRT4 de Lesquin 60 Rue Du Haut De Sainghin 59273 Fretin FRANCE