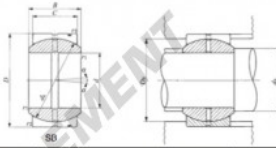


Rotule GE SB9014076-IKO - SB9014076-IKO

<https://www.123roulement.ca/roulement-palier/rotule/ge/sb9014076-iko>

IKO
SPHERICAL BUSHINGS
Steel-on-steel Spherical Bushings



Shaft dia. mm	Identification number	Mass (Ref.) kg	Boundary dimensions mm					Permissible tilting angle degree	
			d	D	B	C	d _k (1)		
90	SB 9014076	4.71	90	140	76	65	130	0.6	5
Mounting dimensions mm		Dynamic load capacity C _d N	Static load capacity C _s N						
d _s Min.	d _s Max. (2)		D _s Min.	D _s Max.	C _d	C _s			
94.5	105.5	135.5	121	829 000	4 970 000				

Notes (1) Minimum allowable value of chamfer dimensions r₁ and r₂.
(2) When Spherical Bushings are used with full tilting angle, the shaft shoulder dimension must be less than the maximum value of d_s.
Remark 1. The inner ring and the outer ring have an oil groove and two oil holes, respectively.
2. Not provided with prepacked grease. Perform proper lubrication for use.

CARACTÉRISTIQUES PRODUIT

Marque	IKO
N° Ean13	3663952391496
Diam. intérieur	90 mm
Diam. intérieur	3.543" inch
Diam. extérieur	140 mm
Diam. extérieur	5.512" inch
Epaisseur	76 mm
Epaisseur	2.992" inch
Type	GE
Lubrification	sans
Conditionnement	1

contact@123roulement.ca

+33 359 360 490

CRT4 de Lesquin 60 Rue Du Haut De Sainghin 59273 Fretin FRANCE